



输出功率: 约0.2~1.5W
贵金属电刷马达/碳刷马达

典型应用: 视听设备
精密仪器
家用电器

OUTPUT: APPROX 0.2~1.5W

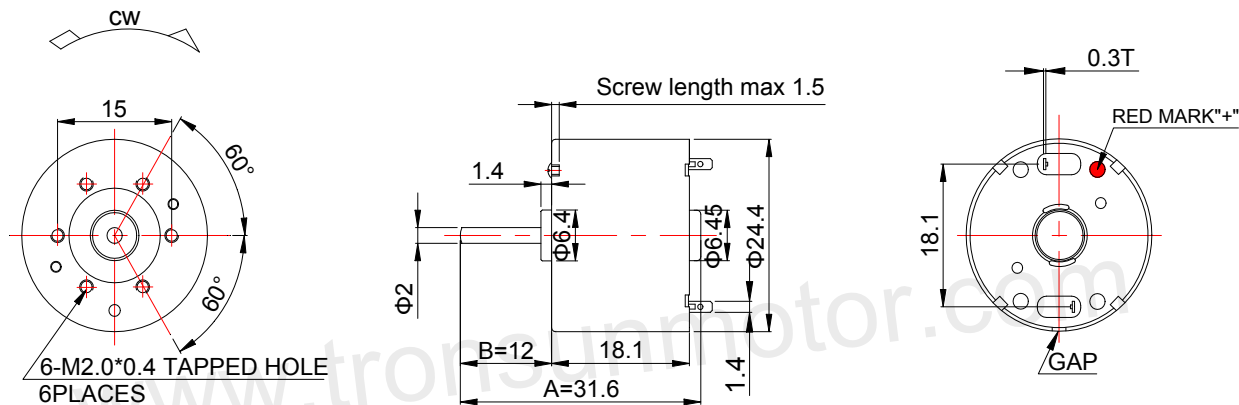
Precious Metal-brush Motors/Carbon-brush Motors

Typical Applications: Audiovisual Equipment
Precision Instrument
Household Appliances

1. OUTLINE DRAWING:

UNIT:MM

DIRECTION OF ROTATION



Customizable Parameters:

1. Length A and B
2. Electric Performance
3. Direction of Rotation

WEIGHT: 27g(Approx)

View:



2. MOTOR PERFORMANCE :

MODEL	VOLTAGE		NO LOAD		AT MAXIMUM EFFICIENCY				STALL			
	OPERATING RANGE	NOMINAL V	SPEED rpm	CURRENT A	SPEED rpm	CURRENT A	TORQUE g.cm	TORQUE mN.m	OUTPUT W	TORQUE g.cm	CURRENT A	
RF-310CA-14340	2.0~4.0	3.0	3100	0.03	2460	0.10	6.6	0.65	0.17	32	3.14	0.37
RF-310CA-17200	2.0~4.0	3.0	5800	0.04	4938	0.20	6.8	0.67	0.34	46	4.51	1.15
RF-310CA-10550	3.0~8.0	6.0	4300	0.01	3593	0.06	5.4	0.53	0.20	33	3.24	0.31
RK-310CH-17195	2.0~4.0	3.0	5600	0.05	4600	0.24	8.2	0.80	0.39	46	4.51	1.10

